

BOREAL





INTERNATIONAL REACH

Founded in 1907 in Belgium, Schröder designs, develops and manufactures high quality outdoor lighting equipment for architectural, tunnel, transit, roadway and floodlighting applications. Today, the Schröder Group employs 2500 people in more than 44 companies from 38 countries, worldwide. A key element of the Group's strategy is local as well as worldwide product development to serve the needs of our customers. You can be assured products specified for any Schröder market will conform to the local codes and technical requirements.

THE RIGHT LIGHT

Schröder luminaires deliver "The Right Light" for each application. The use of the most advanced light sources (including LEDs and the Philips® CosmoPolis® system), optimized in innovative high performance optical systems, delivers the right amount of light while using less energy. High quality materials, optimized thermal design, and patented Sealsafe® technologies make it possible to maintain photometric performance throughout the entire life of the luminaire. Schröder also offers Owlet™, a wireless control system for monitoring, controlling, metering and managing street and area lighting.

LOCALLY MADE IN THE USA

In order to better serve the needs of the North American market, Schröder operates a modern manufacturing facility in Addison (outside Chicago), Illinois. Local production allows us to be responsive to customer construction schedules, while still offering modifications, custom colors and quick shipment programs for many products. Our engineering and production support team ensures everything we produce meets Schröder's world class standards for quality and performance.



PATTERN AND LIGHT

Boreal, designed by Laurent Fachard, is a fixture emulating the style of translucent paper lanterns. Boreal is especially suited for urban entertainment as it creates a playful, festive atmosphere.

The outer drum of the Boreal is a perforated mask crafted from stainless steel. Dichroic filters can be added to create a color effect to the luminaire. The Boreal is available as a single or twin configuration.



BOREAL



Schröder

BOREAL 

BOREAL

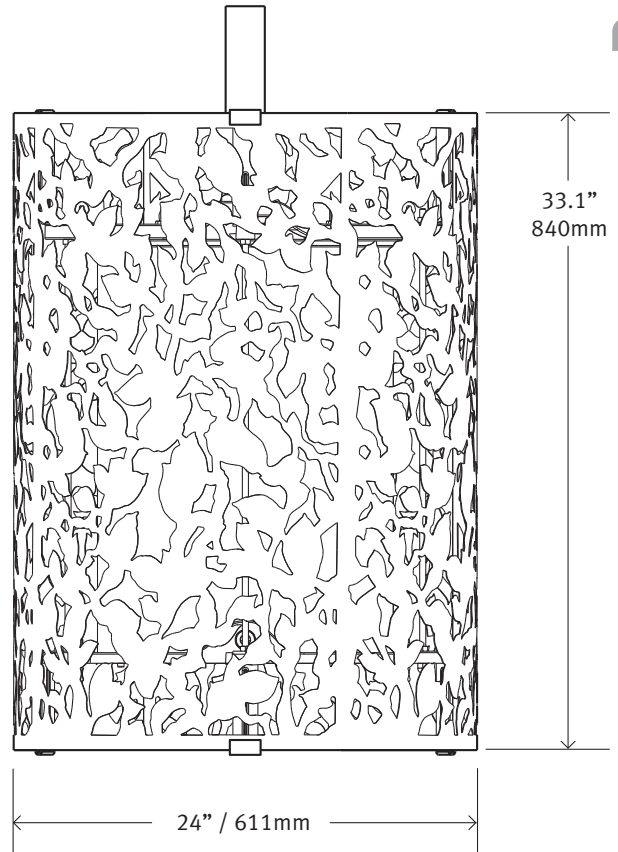


TECHNICAL FEATURES

Boreal consists of an internal lamp module constructed of aluminum, with a clear acrylic lens. Three captive screws on the fixture allow easy access to the lamp and control gear that is mounted on a removable plate. The outer drum is perforated, brushed stainless steel. An optional dichroic filter can be added to the internal lens for color effects. The lamp module has a high degree of protection from the elements with an IP rating of 66.

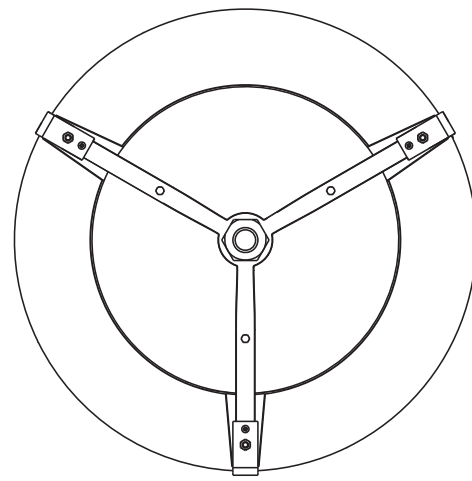
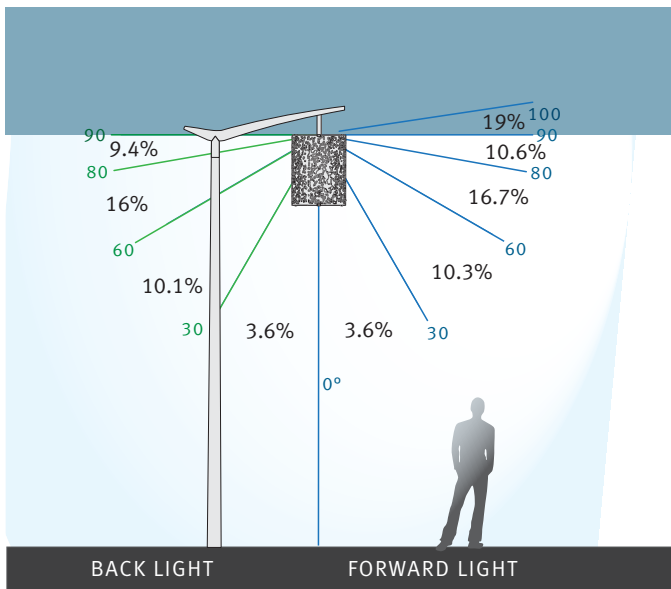
BOREAL

Model	BOREAL
Dimensions	
Height	33.1 in/840mm
Diameter	24 in/611mm
EPA	2.15 sq ft/.20 m ²
Weight	66.1 lbs/30kg
IP rating	66
Light Source	
Metal Halide	70, 100, 150 watt ED-17



BOREAL 150 WATT METAL HALIDE CDM LAMP

- Symmetric distribution, cutoff classification
- Maximum candela: 288
- BUG Rating: B1-U3-G1



top view

BOR MH ED-17-150 MT CY BRM AKZO 200 A-114-1-59 -

1

2

3




4

5

6

7

BOR MH ED-17-150 1 MT 2 CY 3 AKZO 200 5

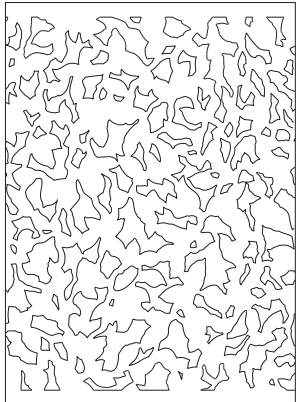
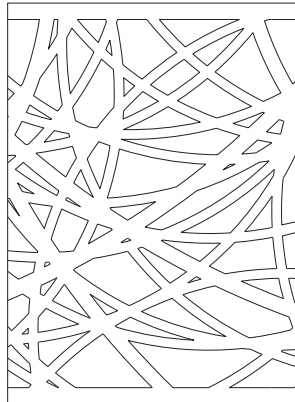
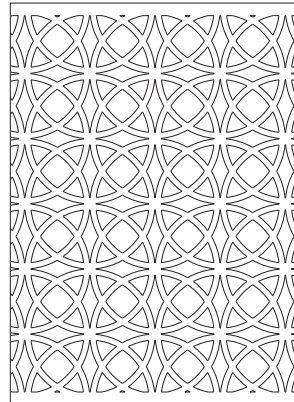
LAMP TYPE	
MH ED-17 - 70 70 watt metal halide Medium base socket	
MH ED-17 - 100 100 watt metal halide Medium base socket	
MH ED-17 - 150 150 watt metal halide Medium base socket	

VOLTAGE
MT F-can ballast, in pole mounting. Dual voltage, 120 or 277 volt

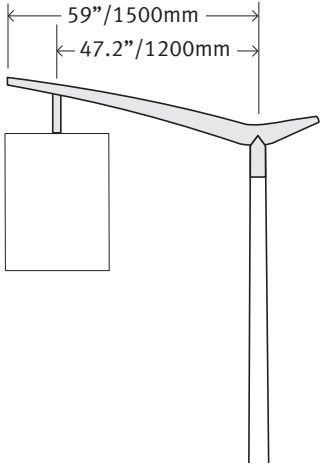
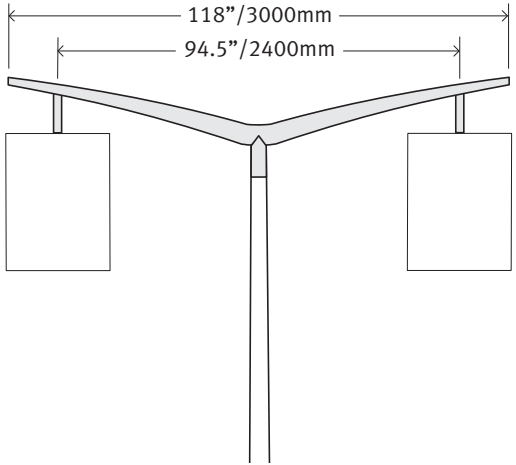
DICHROIC FILTER
MG Magenta dichroic filter
CY Cyan dichroic filter
NONE Clear lens, no filter

POLE AND BRACKET COLOR
AKZO 200 Sand blast textured Black
RAL _ _ _ _ Provide four digit RAL color number
CSC Custom color. Provide a color sample for matching and approval

BRM 4

DRUM MESH PATTERN		
FOM Foliage mesh pattern 	BRM Branches mesh pattern 	CIM Circles mesh pattern 

A-114-1-59 6 -- 7

MOUNTING	
A-114-1-59 Single, EPA: 2.15 sq ft/ .20 m ² 	A-114-2-118 Twin bracket, EPA: 3.44 sq ft/ .32 m ² 

POLE
Refer to the Schröder pole guide.



MERCATO

VALET
SERVICE

Schröder

BOREAL 

BOREAL

Schröder



THE RIGHT LIGHT

In North America

USA

Schröder Lighting LLC
2105 W. Corporate Drive
Addison, IL
60101
847 621.5100
fax 847 621.5121
www.schreder.us

Canada

Schröder Inc.
3626 Blvd. Poirier
St Laurent, Montreal
Quebec H4R 2J5
514 337.6440
fax 514 337.2652
www.schreder.ca



copyright 2011