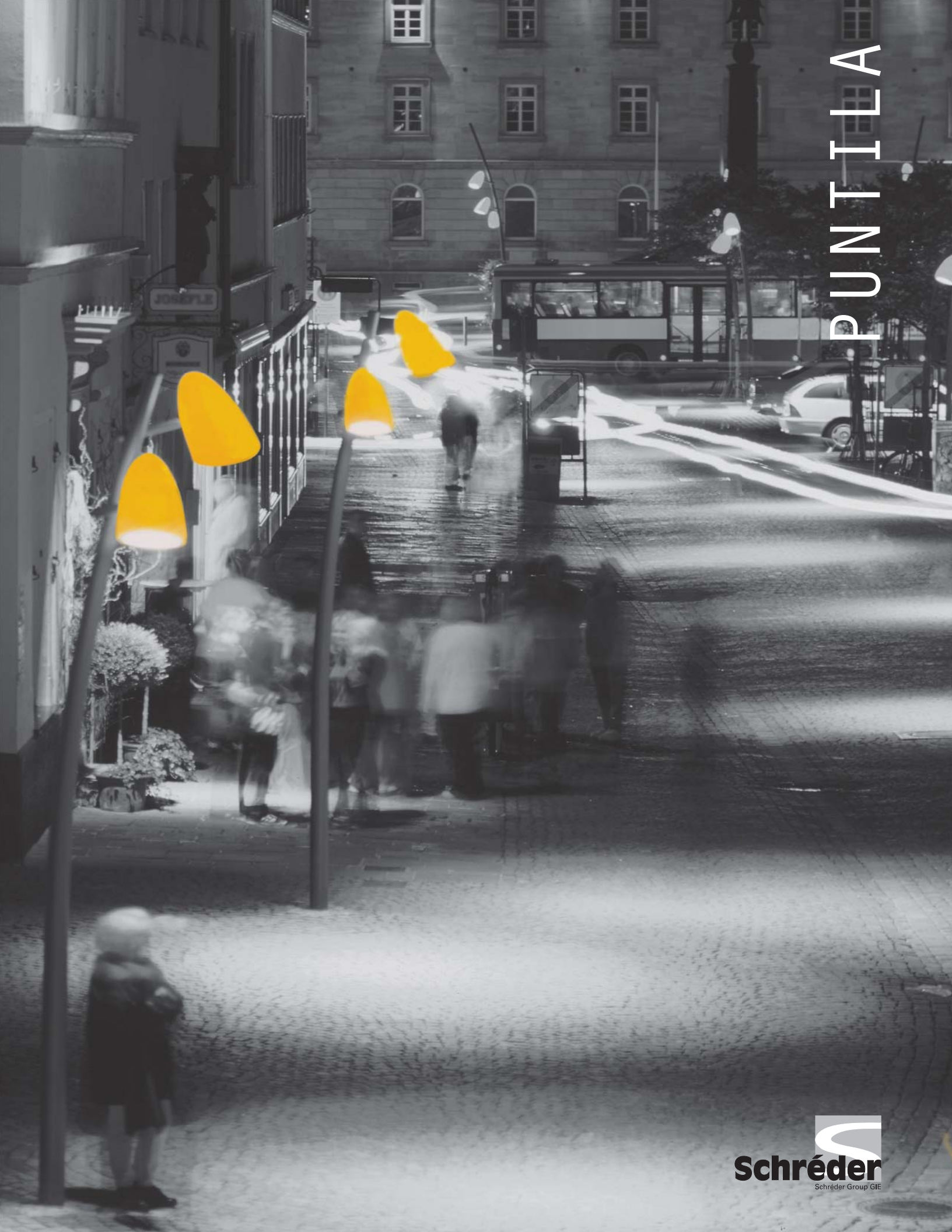


PUNTIILA





INTERNATIONAL REACH

Founded in 1907 in Belgium, Schröder designs, develops and manufactures high quality outdoor lighting equipment for architectural, tunnel, transit, roadway and floodlighting applications. Today, the Schröder Group employs 2500 people in more than 44 companies from 38 countries, worldwide. A key element of the Group's strategy is local as well as worldwide product development to serve the needs of our customers. You can be assured products specified for any Schröder market will conform to the local codes and technical requirements.

THE RIGHT LIGHT

Schröder luminaires deliver "The Right Light" for each application. The use of the most advanced light sources (including LEDs and the Philips® CosmoPolis® system), optimized in innovative high performance optical systems, delivers the right amount of light while using less energy. High quality materials, optimized thermal design, and patented Sealsafe® technologies make it possible to maintain photometric performance throughout the entire life of the luminaire. Schröder also offers Owlet™, a wireless control system for monitoring, controlling, metering and managing street and area lighting.

LOCALLY MADE IN THE USA

In order to better serve the needs of the North American market, Schröder operates a modern manufacturing facility in Addison (outside Chicago), Illinois. Local production allows us to be responsive to customer construction schedules, while still offering modifications, custom colors and quick shipment programs for many products. Our engineering and production support team ensures everything we produce meets Schröder's world class standards for quality and performance.



SHADOW AND LIGHT

Puntila ensemble was conceived by the German designer Walter Giers. The curved, tapered pole is fitted with brackets and is available in heights varying between 14 and 30 feet.

Several luminaires can be fitted to the columns and the curved shapes of the poles further accentuate the impression of lightness emanating from the Puntila luminaires. The organic shape of the Puntila complements many environments such as public squares or pedestrian walkways.

CREATE A DYNAMIC SCENE

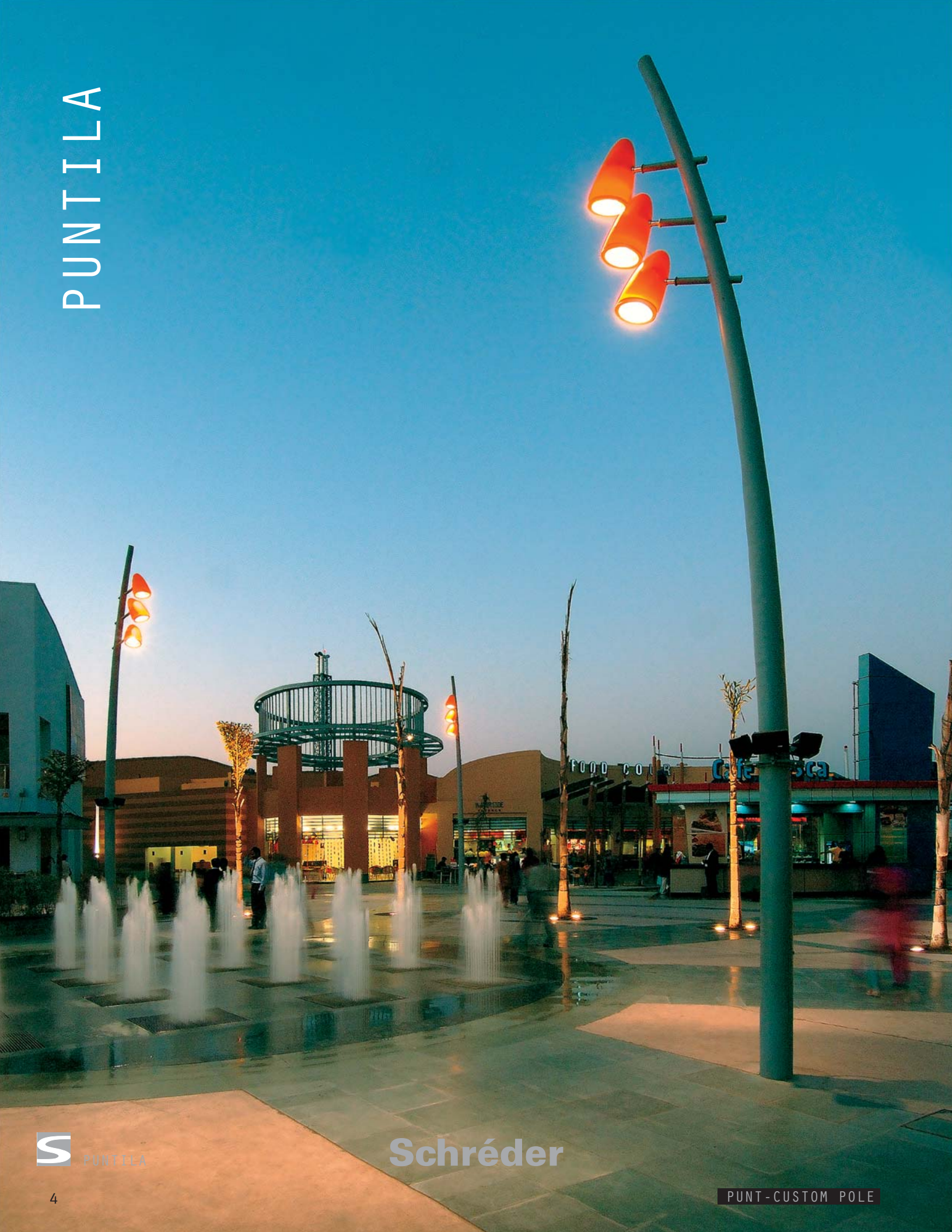
The concept of the Puntila system is to create a dramatic and dynamic atmosphere of light. Puntila delivers accents of light rather than an even spread of illumination. The alternating areas of light and shadow add motion to the site. This effect can be used to draw the eye to objects, graphics, and other focal points.

COLOR AS A DESIGN ELEMENT

Poles and luminaires can be finished with a limitless variety of colors. The industry standard RAL color palette or custom colors can be furnished to complement the site's color scheme. Possible RAL custom color choices include:



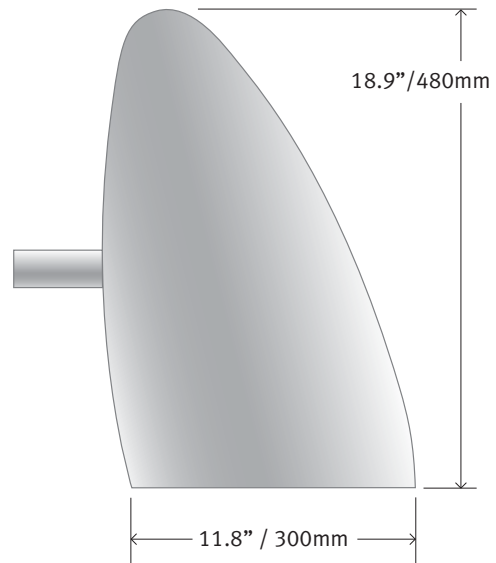
PUNTI LA



TECHNICAL FEATURES

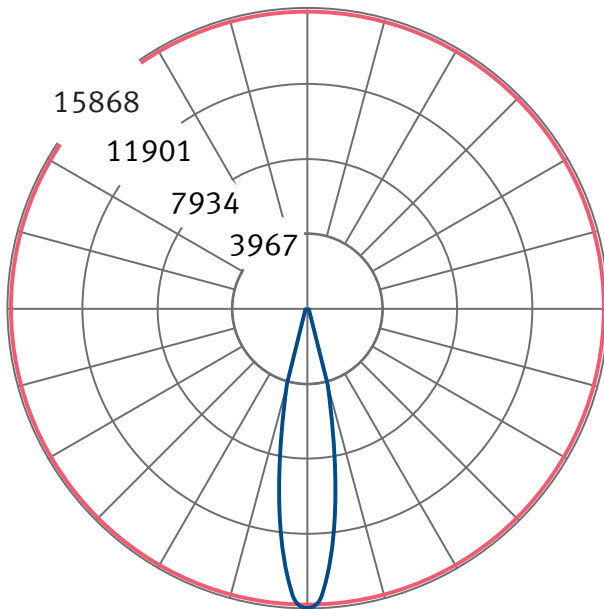
Puntila's integral electronic ballast provides the design flexibility to configure multiple luminaires on a pole. An optional fully adjustable mounting bracket allows for precise on-site aiming of the fixtures. The patented Sealsafe® optical system is hermetically sealed to ensure long term performance and efficiency.

Model	PUNTILA
Dimensions	
Height	18.9 in/480mm
Diameter	11.8 in/300mm
EPA	1.94 sq ft /.18m ²
Weight	24.3 lbs/11kg
IP rating - reflector	66
Light Source	
Metal Halide	39, 70 watt T-6

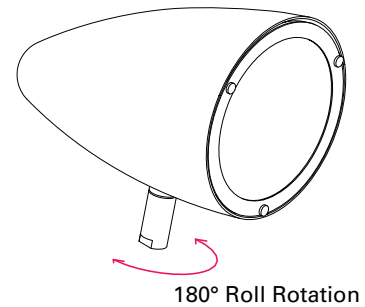


PUNTILA 70 WATT METAL HALIDE MH T-6 LAMP

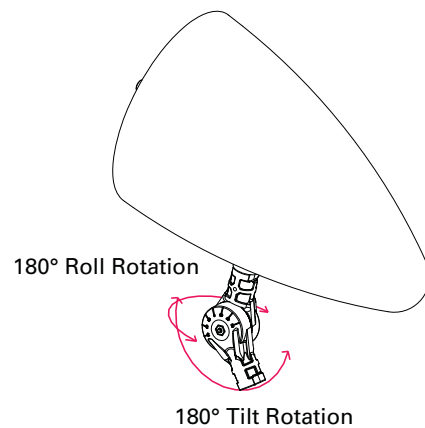
Maximum candela: 4479
 Horizontal angle: 0°
 Vertical angle: 0°
 Lumens = 4,950



STRAIGHT TENON



ADJUSTABLE KNUCKLE





PUNTILA

PUNTILA

PUNT **1** RAL 9006-S **2** MH T6-70 **3** MT **4** RAL 9011-S **5**

SOLID SHADE COLOR	
RAL 9011-S	Smooth Black
RAL 9011-T	Textured Black
RAL 9007-S	Smooth Gray
RAL 9007-T	Textured Gray
RAL 9016-S	Smooth White
RAL 9016-T	Textured White
RAL 8019-S	Smooth Bronze
RAL 8019-T	Textured Bronze
RAL 9006-S	Smooth Aluminum
RAL 9006-T	Textured Aluminum
RAL _ _ _ _	Provide four digit RAL color number
CSC	Custom color. Provide a color sample for matching and approval
TRANSLUCENT SHADE	
YLW	Yellow translucent shade
GRN	Green translucent shade * Consult factory for availability
RED	Red translucent shade * Consult factory for availability

LAMP TYPE
MH T6 - 39 39 watt metal halide T-6 lamp, G12 base 
MH T6 - 70 70 watt metal halide T-6 lamp, G12 base 

VOLTAGE
MT 120 to 277 volt electronic ballast

OPTIONS
KNC Adjustable knuckle provides vertical adjust- ment.

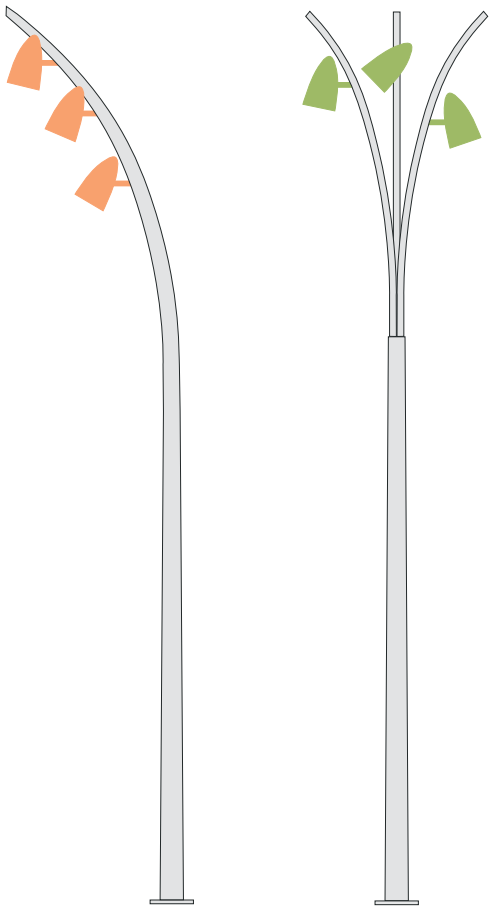
COLOR	
RAL 9011-S	Smooth Black
RAL 9011-T	Textured Black
RAL 9007-S	Smooth Gray
RAL 9007-T	Textured Gray
RAL 9016-S	Smooth White
RAL 9016-T	Textured White
RAL 8019-S	Smooth Bronze
RAL 8019-T	Textured Bronze
RAL 9006-S	Smooth Aluminum
RAL 9006-T	Textured Aluminum
RAL _ _ _ _	Provide four digit RAL color number
CSC	Custom color. Provide a color sample for matching and approval

POLE
All pole designs for Puntila are project specific. Multiple heads can be configured on the pole at various heights. Please contact the factory for design assistance.

ORDERING EXAMPLE

PUNT RAL9016-S MH T6-70 MT RAL 9007-T - -

1 **2** **3** **4** **5** **6**





Grote Liefde
SENSUEEL CH...

Schröder

PUNTTILA

PUNT-CUSTOM POLE

PUNTI LA

Schröder



THE RIGHT LIGHT

In North America

USA

Schröder Lighting LLC
2105 W. Corporate Drive
Addison, IL
60101
847 621.5100
fax 847 621.5121
www.schreder.us

Canada

Schröder Inc.
3626 Blvd. Poirier
St Laurent, Montreal
Quebec H4R 2J5
514 337.6440
fax 514 337.2652
www.schreder.ca



copyright 2011