

Type: \_\_\_\_\_ Quantity: \_\_\_\_\_

Approvals

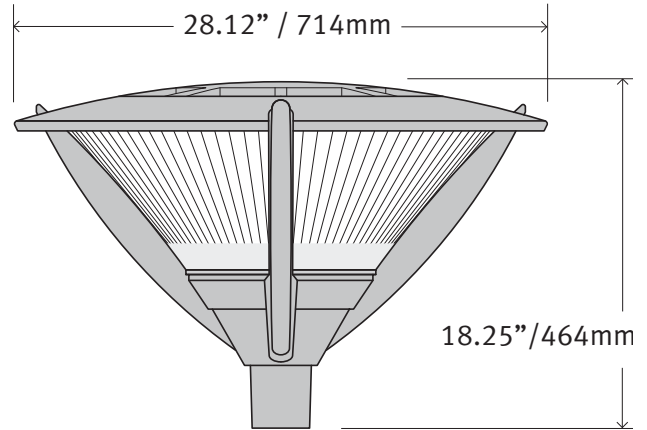
Job: \_\_\_\_\_

Date: \_\_\_\_\_

Catalog Number: ALLD • SYM-40 • \_\_\_\_\_ • MULTI • \_\_\_\_\_ • \_\_\_\_\_ • \_\_\_\_\_ • \_\_\_\_\_ • \_\_\_\_\_

DISTRIBUTION LED COLOR VOLTAGE COLOR OPTIONS MOUNTING POLE

Model	Alura LED
Height	18.25 in/464mm
Diameter	28.12 in/714mm
EPA / CxS	1.33 sq ft/.12m <sup>2</sup>
Weight	27 lbs/12.2kg
IP rating	66



SPECIFICATIONS

- Base:** Made of die cast aluminum with mounting provisions for hardware. The base permits installation over a tenon of 2.38" (60mm) O.D. x 2.75" (70mm) long, and is secured by 2 sets of 3 stainless steel set screws.
- Top Hood:** Die cast aluminum with a molded hinge and bosses for mounting hardware.
- Arms:** Constructed of die cast aluminum.
- Access Door:** Die cast aluminum, locked with two captive screws. Loosening the two screws allows the cover to pivot up, providing access to the electrical components.
- Reflector:** Spun and fabricated from high purity aluminum sheet, electro-brightened with a protective anodic coating.
- Lens:** Clear, made of acrylic with impact resistance of IK04 according to EN 50102. An optional, UV resistant polycarbonate lens, with impact resistance of IK08 according to EN 50102.G is available. The lens is permanently adhered to the base and cover to provide a sealed optical system, with an IP rating of 66.
- LED Light Source:** Four integrated LED modules each consist of ten LEDs positioned within a injection molded refractive lens array. The LEDs are Cool white 6000°K, 1-watt OSRAM Golden Dragon LEDs. 40 watts total. LED service life is 100,000 hours; L70 = 100,000 hours @ 35 degrees C (95 degrees F).
- Driver:** Mounted on a modular unitized ballast tray made of galvanized steel. All connections are made with polarized, quick disconnect plugs with a positive lock. The 120-277v, 50/60 Hz, Class 2 drivers provide 350 mA constant current to the LEDs. Power factor is greater than 90% at full load.
- Hardware:** All exposed screws are stainless steel. All seals and sealing devices are made and/or lined with EPDM and/or silicone.
- Finish:** Application of polyester powder coat paint. The chemical composition provides a highly durable UV and salt spray resistant finish in accordance to the standard and humidity proof in accordance to the ASTM-D2247 standard.



Type: \_\_\_\_\_ Quantity: \_\_\_\_\_

Approvals

Job: \_\_\_\_\_

Date: \_\_\_\_\_

Catalog Number: ALLD • SYM-40 • MULTI •  
DISTRIBUTION LED COLOR VOLTAGE COLOR OPTIONS MOUNTING POLE

LED TECHNOLOGY: AN ECONOMICAL SOLUTION

The Alura LED offers an economical, low maintenance lighting solution based on LED technology and advanced optical design developments. The result is low energy consumption combined with high quality photometric performance. The Alura proprietary lens system produces a sharp symmetrical distribution for comfortable, low glare lighting.

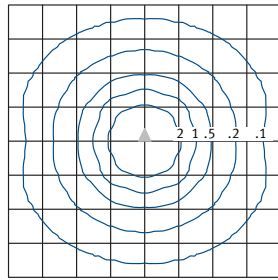
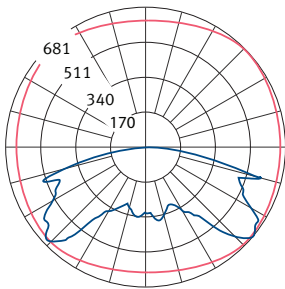
LUMINAIRE CLASSIFICATION SYSTEM

The LCS is an IESNA standard method of evaluating the lighting levels produced by a luminaire by classifying the results into three categories; forward light, backlight and up light. This can be combined with the IESNA cutoff classification to evaluate the optical system best suited to your project.

ALLD SYM symmetric

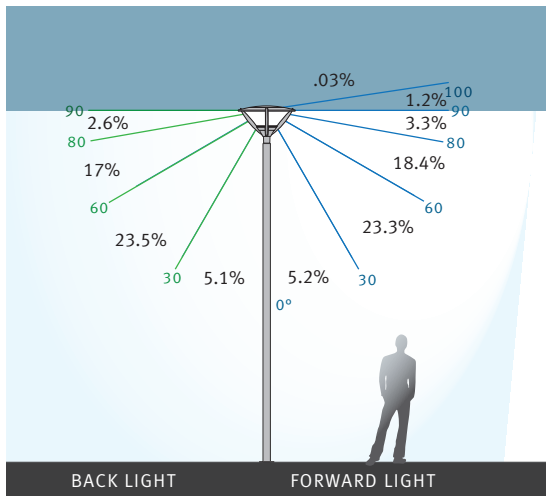
Max Candela 681 at:  
 Horizontal angle = 0°  
 Vertical angle = 45°

Mounting height = 10 feet  
 Scale is one square = 10 feet/3M  
 Lumens = 2,825



ALURA LED

- Symmetric distribution
- BUG Rating: B1-U2-G1



Model	CW Cool White
Light Output in Lumens	2,612
Input Wattage	51 watts
Lumens per Watt (Efficacy)	51
Color Rendering Index (CRI)	72
Correlated Color Temperature (CCT)	6500°K
L70 = 100,000h @ 350 mA Ta 35°C	

\* Warm white and neutral white color temperatures are also available. Please consult factory.

Complete LM-79 report available on the Alura LED product page at [schreder.us](http://schreder.us)

Alura LED

<b>Light Output (Lumens)</b>	<b>2625</b>
<b>Watts</b>	<b>50.88</b>
<b>Lumens per Watt (Efficacy)</b>	<b>51</b>
<b>Color Accuracy</b> <small>Color Rendering Index (CRI)</small>	<b>72</b>
<b>Light Color</b> <small>Correlated Color Temperature (CCT)</small>	<b>7043 (Daylight)</b>
<small>Warm White</small>	<small>Bright White</small>
<small>2700K</small>	<small>3000K</small>
<small>4500K</small>	<small>6500K</small>

All results are according to IESNA LM-79-2008: Approved Method for the Electrical and Photometric Testing of Solid-State Lighting. The U.S. Department of Energy (DOE) verifies product test data and results. CCT ranges above 6500K are suitable for outdoor use only.

Visit [www.lightingfacts.com](http://www.lightingfacts.com) for the Label Reference Guide.

Registration Number: 4VW3-WB2R5A (2/7/2012)  
 Model Number: ALLD-SYM40-CW  
 Type: Outdoor path/step/rail light



Type: \_\_\_\_\_ Quantity: \_\_\_\_\_

Approvals

Job: \_\_\_\_\_

Date: \_\_\_\_\_

ALURA LED

Catalog Number: ALLD • SYM-40 • MULTI • \_\_\_\_\_  
DISTRIBUTION LED COLOR VOLTAGE COLOR OPTIONS MOUNTING POLE

1

2

3

4

5

LIGHT DISTRIBUTION	LED COLOR	VOLTAGE	COLOR	OPTIONS
<b>SYM</b> Symmetric distribution, 40 1 watt LEDs	<b>CW</b> Cool white 6500°K	<b>MULTI</b> 120 to 277 volt	<b>RAL 9011-S</b> Smooth Black <b>RAL 9011-T</b> Textured Black <b>RAL 9007-S</b> Smooth Gray <b>RAL 9007-T</b> Textured Gray <b>RAL 9016-S</b> Smooth White <b>RAL 9016-T</b> Textured White <b>RAL 8019-S</b> Smooth Bronze <b>RAL 8019-T</b> Textured Bronze <b>RAL 9006 -S</b> Smooth Aluminum <b>RAL 9006 -T</b> Textured Aluminum <b>RAL _ _ _ _</b> Provide four digit RAL color number <b>CSC</b> Custom color. Provide a color sample for matching and approval	<b>PCG</b> UV resistant poly- carbonate lens instead of standard acrylic
* Warm white and neutral white color temperatures are also available. Please consult factory.				

6

MOUNTING		
<b>A-201-1</b> One arm 	<b>A-201-2</b> Two arms at 180 degrees 	<b>A-201-W</b> Wall mounted arm 
<b>0</b> No arm - post top mounting		

7

**POLE**  
 For a complete range of aluminum, steel and wood poles, refer to the Schröder pole guide.

