

# FURYO

Type: \_\_\_\_\_ Quantity: \_\_\_\_\_

Approvals

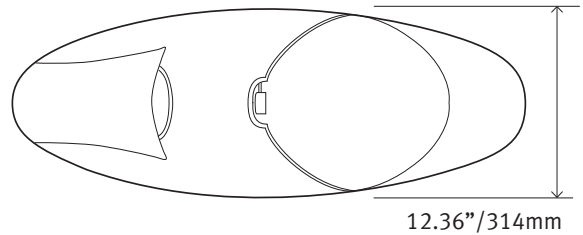
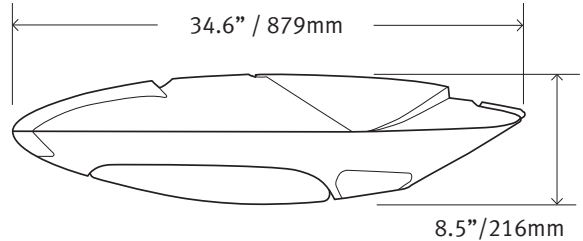
Job: \_\_\_\_\_

Date: \_\_\_\_\_

Catalog Number: FUR • • • • • • • •

DISTRIBUTION LAMP TYPE VOLTAGE COLOR MOUNTING POLE

|                                    |                              |
|------------------------------------|------------------------------|
| Model                              | Furyo 3                      |
| Dimensions                         |                              |
| Height                             | 8.5 in/216mm                 |
| Diameter                           | 34.6 in/879mm                |
| Width                              | 12.4 in/314mm                |
| EPA / CxS                          | .74 sq ft/.069m <sup>2</sup> |
| Weight                             | 23.1 lbs/10.5kg              |
| IP rating - ballast and reflectors | 66                           |
| Light Source                       |                              |
| Philips® CosmoPolis®               | 60, 90, 140 watts            |



## SPECIFICATIONS

- Housing:** The housing is made of die-cast aluminum, minimum 2.2mm thick. It achieves thermal separation between the optical chamber and the ballast compartment, to help keep electronic components cooler. The ballast and optical chambers are IP66 rated, and accessible without tools.
- Optical System:** The Sealsafe optical chamber consists of a Miro aluminum reflector with a 95% reflective coefficient, designed specifically for the characteristics of the Philips Cosmopolis lamp. The tempered glass lens is sealed to the housing with silicone, and is treated with a self-cleaning coating. IES Roadway Types 2 and 3 distributions are available.
- Electrical:** The electronic ballast is available as 120v or 208-277v. The PGZ18 porcelain socket is 5 kV pulse rated, and its design facilitates precise positioning of the lamp within the reflector. Both the ballast and the lamp are easily accessed by lifting spring-loaded latches that integrate into the housing design.
- Finish:** The polyester powder coat provides a highly durable UV and salt spray resistant finish in accordance to the ASTM B117 standard and humidity proof in accordance with the ASTM D2247 standard.
- Listing:** Luminaire is ETL listed to comply with UL 1598 and CSA C-22.2 No. 250.0-08. It is IP66 rated.



# FURYO

Type: \_\_\_\_\_ Quantity: \_\_\_\_\_

Job: \_\_\_\_\_

Date: \_\_\_\_\_

Approvals




Catalog Number: FUR • • • • • • • •

DISTRIBUTION LAMP TYPE VOLTAGE COLOR MOUNTING POLE

1

| LIGHT DISTRIBUTION & LENS                        |
|--|
| <b>T2 - FCL</b><br>IES Type 2<br>flat glass lens |
| <b>T3 - FCL</b><br>IES Type 3<br>flat glass lens |
| <b>T2 - DCL</b><br>IES Type 2<br>sag glass lens  |
| <b>T3 - DCL</b><br>IES Type 3<br>sag glass lens  |

2

| LAMP TYPE   |
|---|
| Philips® CosmoPolis®<br>Cosmo-White lamp and electronic ballast system, PGZ-12 lamp base  |
| <b>CPO TW 60</b><br>60 watt CosmoWhite lamp    |
| <b>CPO TW 90</b><br>90 watt CosmoWhite lamp    |
| <b>CPO TW 140</b><br>140 watt CosmoWhite lamp  |

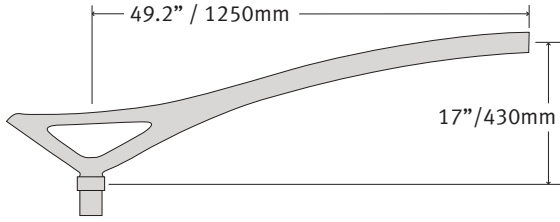
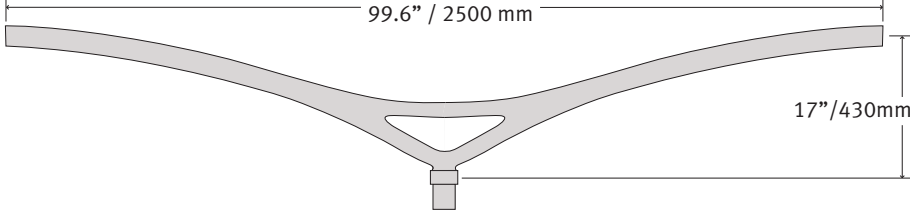
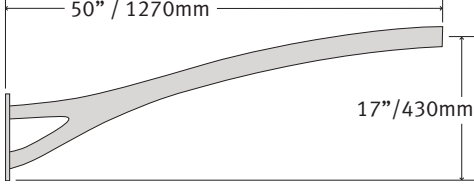
3

| VOLTAGE   |
|---|
| <b>120</b><br>120 volt<br>Electronic ballast                    |
| <b>INT</b><br>Intellivolt<br>208-277 volt<br>Electronic ballast |

4

| COLOR              |  |
|--------------------|--|
| <b>RAL 9011-S</b>  | Smooth Black   |
| <b>RAL 9011-T</b>  | Textured Black   |
| <b>RAL 9007-S</b>  | Smooth Gray  |
| <b>RAL 9007-T</b>  | Textured Gray  |
| <b>RAL 9016-S</b>  | Smooth White   |
| <b>RAL 9016-T</b>  | Textured White   |
| <b>RAL 8019-S</b>  | Smooth Bronze  |
| <b>RAL 8019-T</b>  | Textured Bronze  |
| <b>RAL 9006 -S</b> | Smooth Aluminum  |
| <b>RAL 9006 -T</b> | Textured Aluminum  |
| <b>RAL _ _ _ _</b> | Provide four digit RAL color number                            |
| <b>CSC</b>         | Custom color. Provide a color sample for matching and approval |

5

| MOUNTING                                      |  |
|---|--|
| <b>A115-1-49</b><br>Single bracket, EPA: 1.18 |  |
| <b>A115-2-100</b><br>Double bracket, EPA: 1.2 |  |
| <b>A115-W-49</b><br>Wall bracket, EPA: 1.08   |   |

6

| POLE                              |
|-----------------------------------|
| Refer to the Schröder pole guide. |



# FURYO

Type: \_\_\_\_\_ Quantity: \_\_\_\_\_

Approvals

Job: \_\_\_\_\_

Date: \_\_\_\_\_

Catalog Number: FUR • • • • • • • •

DISTRIBUTION LAMP TYPE VOLTAGE COLOR MOUNTING POLE

The HiR<sup>®</sup> optical system of the Furyo luminaire is optimized around the CosmoPolis<sup>®</sup> lamp for maximum efficiency. Performance benefits of the CosmoPolis<sup>®</sup> System

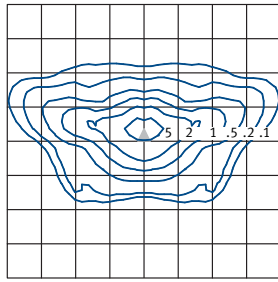
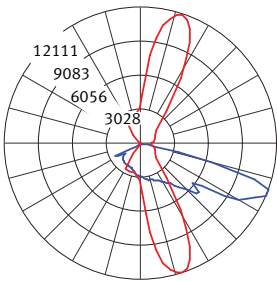
- Quality of light - high color rendering
- System efficiency - a lamp and ballast designed for each other
- Optical efficiency - a small precise, highly controllable lamp
- Dependable service - an electronic ballast keeps lamp operating efficiently
- Sustainability - up to 50% longer life than typical HID lamps

## FURYO

### FYO T2-DCL CPO TW-140 SAG LENS

Max Candela 12111 at:  
Horizontal angle = 72.5°  
Vertical angle = 67.5°

Mounting height = 25 feet  
Scale is one square = 25 feet/8.1M  
Lumens = 16,958

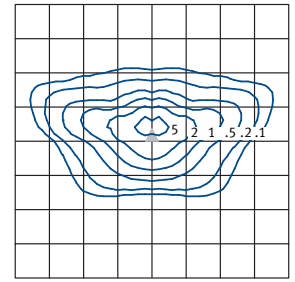
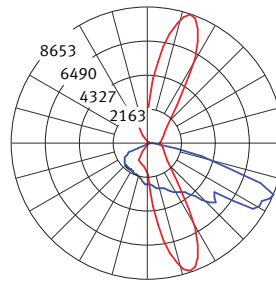


## FURYO

### FYO T2-FCL CPO TW-140 FLAT LENS

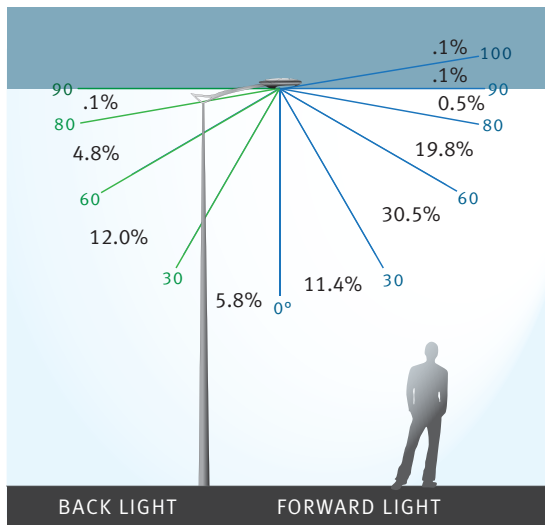
Max Candela 8653 at:  
Horizontal angle = 72.5°  
Vertical angle = 67.5°

Mounting height = 25 feet  
Scale is one square = 25 feet/8.1M  
Lumens = 16,958



### FYO T2-DCL CPO TW-140

- LCS values shown below
- BUG Rating: B2-U2-G2



### FYO T2-FCL CPO TW-140

- LCS values shown below
- BUG Rating: B2-U2-G2

