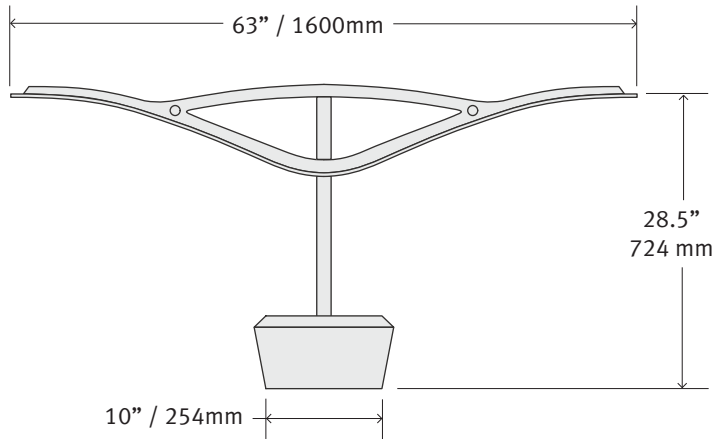


Type: \_\_\_\_\_  
 Job: \_\_\_\_\_  
 Catalog Number: \_\_\_\_\_

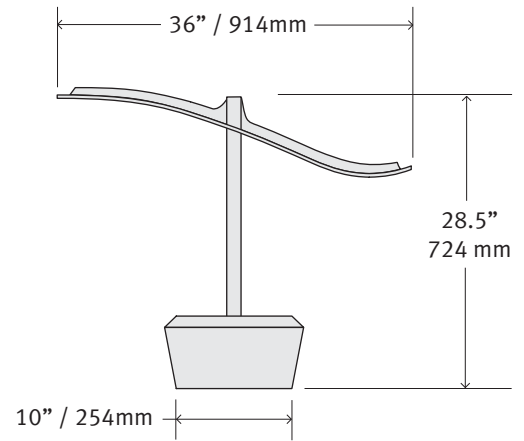
Approvals: \_\_\_\_\_  
 Date: \_\_\_\_\_

QTY: \_\_\_\_\_

HER	1	2	3	4	5	6
-----	---	---	---	---	---	---



Model	ASYM	SYM
Dimensions		
Height	28.5 in/724mm	28.5 in/724mm
Length	36 in/914mm	63 in/1600mm
Width	35.5 in/590mm	35.5 in/590mm
EPA	1.32 sq ft / .123m <sup>2</sup>	1.87 / .174m <sup>2</sup>
Weight	59 lbs/27kg	66 lbs/30kg
IP rating - reflector	66	66



**SPECIFICATIONS**

**Housing:** Made of cast aluminum. The base permits installation over a 8" O.D. (219mm) tenon x 16" (406mm) long. Four stainless steel hexagonal head bolts 3/8-16, secure housing to the mounting tenon. For installation to poles with different diameters, contact the factory.

**Primary Reflector (in the optical compartment):** Formed and fabricated from high purity aluminum sheet, electro-brightened with a protective anodic coating.

**Secondary Reflector (wing):** Fabricated from high purity aluminum sheet, providing extensive redistribution of the flux from the lamp and the primary reflector. Painted high gloss white. Two stainless steel rods 3/4" dia. (19mm) attached to an aluminum truss structure support the secondary reflector system.

**Sleeve:** Injection molded composite mechanically fastened to reflector and fully silicone gasketed.

**Shutter:** Injection molded composite is removable with a quarter turn, and provided with a molded silicone gasket.

**Lens:** Convex, clear tempered glass lens to protect the optical assembly.

**Ballast:** provide with polarized quick disconnect plugs with positive locks.

**Ballast Tray:** Made of galvanized steel, fixed in the base and easily removed without tools.

**Hardware:** All exposed screws are stainless steel. All seals and sealing devices are made with EPDM and/or silicone.

**Finish:** Application of polyester powder coat paint. The chemical composition provides a highly durable UV and salt spray resistant finish in accordance to the ASTM-B117 standard and humidity proof in accordance to the ASTM-D2247 standard.

**Electrical listing:** Wet Location listed per UL 1598 and CSA C22.2. IP rating for the optical system is 66.

**Warranty:** The Sealsafe optical module is warranted to be free of intrusion of contaminants for a period of twenty years.



# HERMES

Type: \_\_\_\_\_  
 Job: \_\_\_\_\_  
 Catalog Number: \_\_\_\_\_

Approvals: \_\_\_\_\_  
 Date: \_\_\_\_\_

QTY: **1** **2** **3** **4** **5** **6**

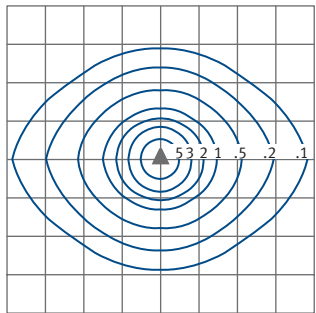
HER \_\_\_\_\_

## OPTICAL AND PHOTOMETRIC PERFORMANCE

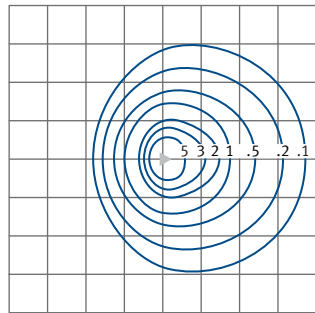
### LUMINAIRE CLASSIFICATION SYSTEM - LCS

The LCS is an IESNA standard method of evaluating the lighting levels produced by a luminaire by classifying the results into three categories; forward light, back light and uplight. This can be combined with the IESNA roadway classification to evaluate the optical system best suited to your project.

**HER SYM MH T6-150**  
 Indirect Symmetric  
 Mounting height = 16 feet  
 Scale; one square = 16 feet/4.9M  
 Lumens = 14,000



**HER ASYM MH T6-150**  
 Indirect Asymmetric  
 Mounting height = 16 feet  
 Scale; one square = 16 feet/4.9M  
 Lumens = 14,000



# HERMES

Type: \_\_\_\_\_

Job: \_\_\_\_\_

Catalog Number: \_\_\_\_\_

Approvals: \_\_\_\_\_

Date: \_\_\_\_\_

\_\_\_\_\_ 1 \_\_\_\_\_ 2 \_\_\_\_\_ 3 \_\_\_\_\_ 4 \_\_\_\_\_ 5 \_\_\_\_\_ 6 \_\_\_\_\_

QTY:

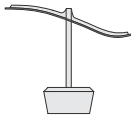
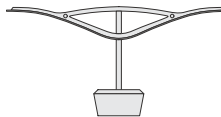
HER \_\_\_\_\_




1

2

3

4

MODEL	
<input type="radio"/>	<b>ASYM</b> Small asymmetric wing 
<input type="radio"/>	<b>SYM</b> Large symmetric wing 

LAMP TYPE	
<input type="radio"/>	<b>MH T6 - 39</b> 39 watt lamp metal halide 
<input type="radio"/>	<b>MH T6 - 70</b> 70 watt lamp metal halide 
<input type="radio"/>	<b>MH T6 - 150</b> 150 watt lamp metal halide 

VOLTAGE	
<input type="radio"/>	120 volt
<input type="radio"/>	208 volt
<input type="radio"/>	240 volt
<input type="radio"/>	277 volt
<input type="radio"/>	347 volt

COLOR		
<input type="radio"/>	<b>RAL 9011-S</b>	Smooth Black
<input type="radio"/>	<b>RAL 9011-T</b>	Textured Black
<input type="radio"/>	<b>RAL 9007-S</b>	Smooth Gray
<input type="radio"/>	<b>RAL 9007-T</b>	Textured Gray
<input type="radio"/>	<b>RAL 9016-S</b>	Smooth White
<input type="radio"/>	<b>RAL 9016-T</b>	Textured White
<input type="radio"/>	<b>RAL 8019-S</b>	Smooth Bronze
<input type="radio"/>	<b>RAL 8019-T</b>	Textured Bronze
<input type="radio"/>	<b>RAL 9006 -S</b>	Smooth Aluminum
<input type="radio"/>	<b>RAL 9006 -T</b>	Textured Aluminum
<input type="radio"/>	<b>RAL _ _ _ _</b>	Provide four digit RAL color number.
<input type="radio"/>	<b>CSC</b>	Custom color, provide a color sample for matching and approval.

5

OPTIONS
<b>PTA6</b> Post top adapter for use with a 6"/150mm round pole. Factory installed on a Schreder pole.



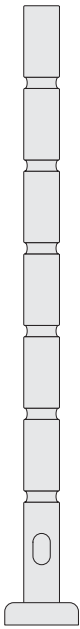
Type: \_\_\_\_\_  
 Job: \_\_\_\_\_  
 Catalog Number: \_\_\_\_\_

Approvals: \_\_\_\_\_  
 Date: \_\_\_\_\_

QTY: **1** **2** **3** **4** **5** **6**

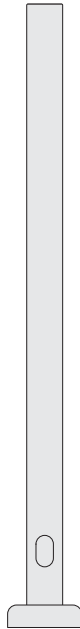
HER \_\_\_\_\_

POLE SELECTION



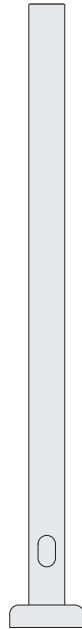
P-211-08

Ribbed 8" aluminum  
 10'/3.1M to 18'/5.5M



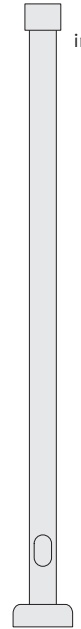
P-201-08

8" round aluminum  
 10'/3.1M to 18'/5.5M



P-101-08

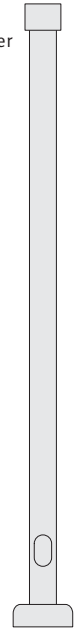
8" round steel  
 10'/3.1M to 18'/5.5M



P-201-06

6" round aluminum  
 10'/3.1M to 18'/5.5M

shown with the factory  
 installed post top adapter  
 - PTA option



P-101-06

6" round steel  
 10'/3.1M to 18'/5.5M