

KALI

Type: _____
 Job: _____
 Catalog Number: _____

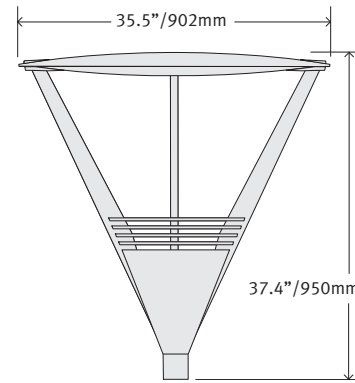
Approvals: _____
 Date: _____

QTY:	1	2	3	4	5	6	7
KAL							

SPECIFICATIONS

MODEL	SYM
Height	35.5"/902mm
Diameter	37.4"/950mm
EPA	1.52 sq ft /.14m ²
Weight	53 lbs/24kg
IP Rating - Reflector	66

Front View



Base	Aluminum cast body with blades. The base permits installation over a tenon of 2 3/4"O.D. (70mm) x 4" (100mm) long, and is secured by 2 sets of 3 setscrews at 120°.
Fixed cover	Polyester reinforced with fiber glass and coated with Gelcoat type treatment. The cover is fixed with 3 screws at 120 degrees.
Arms	Made of die cast aluminum.
Reflector	Formed and fabricated from high purity aluminum sheet, electro brightened with a protective anodic coating.
Lens	Thermally hardened glass protector, slightly curved and prismatic. Optical assembly tightness IP66 and impact resistance IK08 according to EN 50102.
Lamp Holder	Porcelain heat-resistant pulse rated 4 Kv G12 base, or porcelain heat-resistant pulse rated 4 Kv medium bases.
Ballast	Remote ballast in pole. With polarized quick disconnect plugs with positive lock.
Hardware	All exposed screws will be in stainless steel. All seals and sealing devices are made and/or lined with EPDM and/or silicone.
Finish	Hot dip chemical etching preparation with polyester powder coat finish. Durable exterior finish, resistant to UV, salt spray and humidity as per ASTM B117 and ASTM D2247 testing procedures.
Electrical listing	Wet Location listed per UL 1598 and CSA C22.2. IP rating for the optical system is IP66.
Warranty	The Sealsafe® optical module is warranted to be free of intrusion of contaminants for a period of twenty years.



KALI

Type: _____
 Job: _____
 Catalog Number: _____

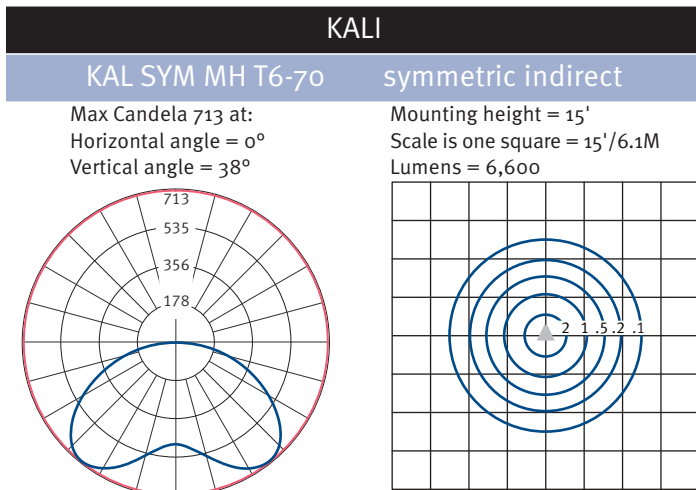
Approvals: _____
 Date: _____

QTY:	1	2	3	4	5	6	7
KAL							

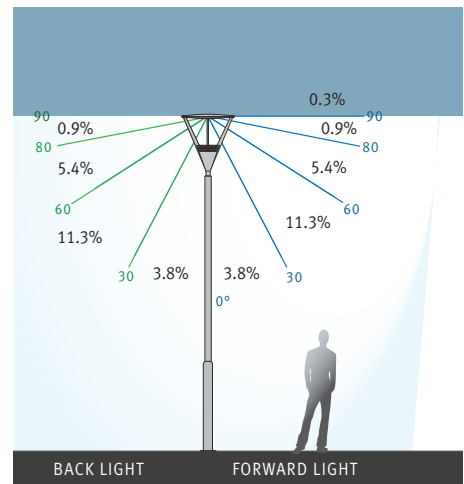
OPTICAL AND PHOTOMETRIC PERFORMANCE

LUMINAIRE CLASSIFICATION SYSTEM - LCS

The LCS is an IESNA standard method of evaluating the lighting levels produced by a luminaire by classifying the results into three categories; forward light, back light and uplight. This can be combined with the IESNA roadway classification to evaluate the optical system best suited to your project.



Bug Rating: B1-U2-G1



KALI

Type: _____
 Job: _____
 Catalog Number: _____

Approvals: _____
 Date: _____

QTY:	1	2	3	4	5	6	7
KAL							




1

LIGHT DISTRIBUTION

SYM
Indirect symmetrical distribution

2

LAMP TYPE

<input type="radio"/> MH T6 - 39 39 watt metal halide T-6 lamp, G12 base	
<input type="radio"/> MH T6 - 70 70 watt metal halide T-6 lamp, G12 base	
<input type="radio"/> MH T6 - 150 150 watt metal halide T-6 lamp, G12 base	

3

VOLTAGE

<input type="radio"/> 120 VOLT
<input type="radio"/> 208 VOLT
<input type="radio"/> 240 VOLT
<input type="radio"/> 277 VOLT
<input type="radio"/> 347 VOLT

4

COLOR

<input type="radio"/> EQ 9011 Textured Black
<input type="radio"/> EQ 9007 Textured Gray
<input type="radio"/> EQ 9016 Textured White
<input type="radio"/> EQ 8019 Textured Bronze
<input type="radio"/> EQ 9006 Smooth Aluminum
<input type="radio"/> RAL _ _ _ _ Provide four digit RAL color number.
<input type="radio"/> CSC Custom color, provide a color sample for matching and approval.

5

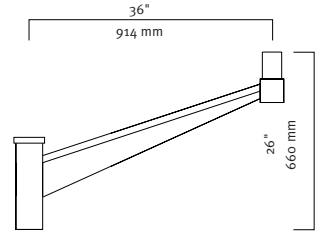
OPTIONS

NONE

6

Brackets

<input type="radio"/> NONE
<input type="radio"/> A-202-1
<input type="radio"/> A-202-2
<input type="radio"/> A-202-w



7

POLE

Refer to the Schröder pole guide.

