

NEMO LUMINAIRE

Type: _____
 Job: _____
 Catalog Number: _____

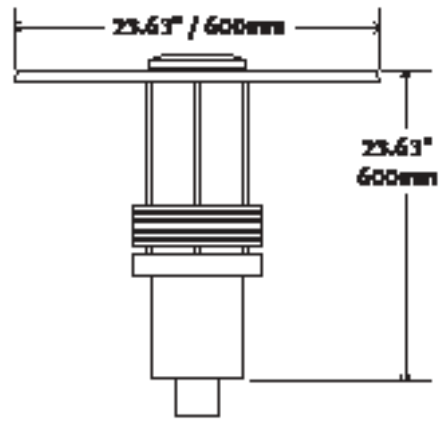
Approvals: _____
 Date: _____

QTY:	1	2	3	4	5	6
NEL						

SPECIFICATIONS

MODEL	NEMO Luminaire
HEIGHT	24.1 in/613mm
DIAMETER	23.6 in/600mm
EPA	1.94 sq ft/.136m ²
WEIGHT	22 lbs/10kg
IP RATING - REFLECTOR	66

Dimensions

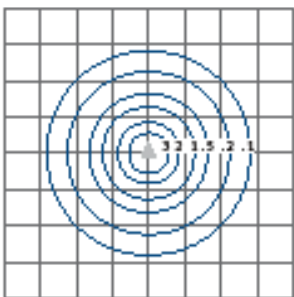
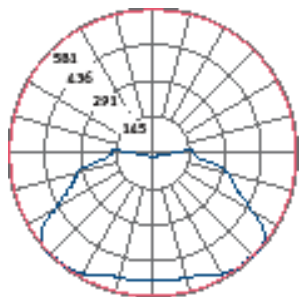


Housing	Fabricated of aluminum. The optical compartment and the ballast are accessed by loosening 3 screws and pivoting out the lower assembly.
Lens	Injection molded, impact resistant, clear acrylic for optimum light transmittance, permanently sealed to the housing.
Socket	Porcelain heat-resistant pulse rated 4 kV G12 base for T6 lamp.
Ballast	The electronic ballast is mounted to a module that pivots out for easy access.
Hardware	All exposed screws will be in stainless steel. All gaskets and sealing devices are EPDM and/or silicone.
Finish	Application of polyester powder coat paint. The chemical composition provides a highly durable UV and salt spray resistant finish in accordance to the ASTM-B117 standard and humidity proof in accordance to the ASTM-D2247 standard.
Electrical listing	Wet Location listed per UL 1598 and CSA C22.2. IP rating for the optical system is IP66.
Warranty	The Sealsafe® optical module is warranted to be free of intrusion of contaminants for a period of twenty years.

PHOTOMETRIC AND OPTICAL PERFORMANCE

Nemo Luminaire

NELASYM MH-T6-70	symmetric = 20 feet/6.1M
Max Candela 581 at: Horizontal angle = 0° Vertical angle = 48°	Mounting height = 12 feet Scale is one square = 12 feet/6.1M Lumens = 6,600



NEMO LUMINAIRE

Type: _____

Job: _____

Catalog Number: _____

QTY: _____

1

2

3

4

5

6

NEL

1


2

3

4

6

LIGHT DISTRIBUTION and LENS TYPE	
<input type="radio"/>	SYM Symmetric
<input type="radio"/>	ASYM Asymmetric

LAMP TYPE	
MH T6 Metal Halide - G-12 bi-pin socket 	
<input type="radio"/>	MH T6 - 39 39 watt lamp metal halide
<input type="radio"/>	MH T6 - 70 70 watt lamp metal halide
<input type="radio"/>	MH T6 - 150 150 watt lamp metal halide

VOLTAGE	
<input type="radio"/>	120 volt
<input type="radio"/>	208 volt
<input type="radio"/>	240 volt
<input type="radio"/>	277 volt
<input type="radio"/>	347 volt

COLOR	
<input type="radio"/>	EQ 9011 Textured Black
<input type="radio"/>	EQ 9007 Textured Gray
<input type="radio"/>	EQ 9016 Textured White
<input type="radio"/>	EQ 8019 Textured Bronze
<input type="radio"/>	EQ 9006 Smooth Aluminum
<input type="radio"/>	RAL _ _ _ _ Provide four digit RAL color number.
<input type="radio"/>	CSC Custom color. Provide a color sample for matching and approval.

POLE
Refer to the Schröder pole guide.

