

Type: _____ Quantity: _____

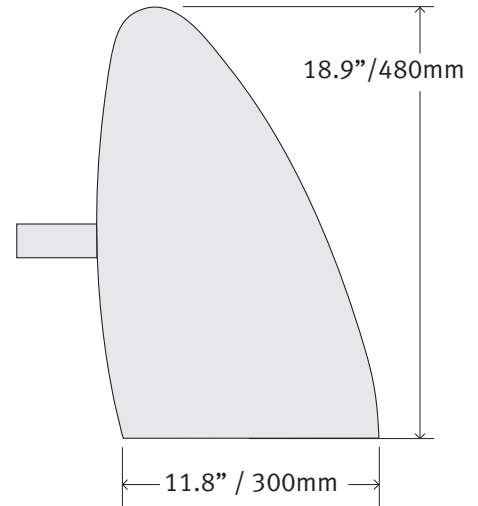
Approvals

Job: _____

Date: _____

Catalog Number: PUNT • _____ • MT • _____ •
SHADE COLOR LAMP TYPE VOLTAGE POLE/BRACKET COLOR POLE DWG NO.

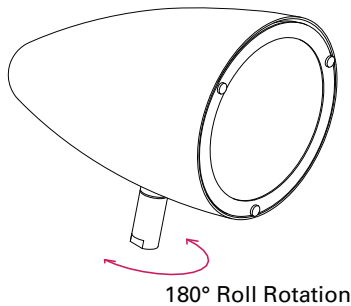
Model	PUNTI LA
Dimensions	
Height	18.9 in/480mm
Diameter	11.8 in/300mm
EPA	1.94 sq ft / .18m ²
Weight	24.3 lbs/11kg
IP - reflector	66
Light Source	
Metal Halide	39, 70 watt T-6



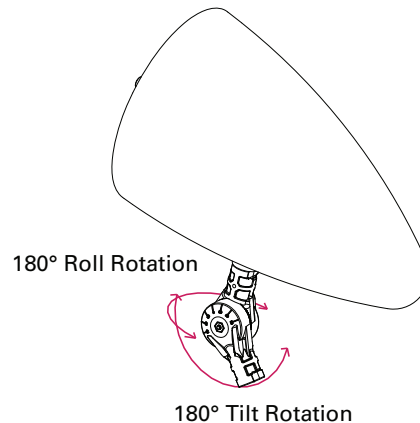
SPECIFICATIONS

- Housing:** **SOLID:** Made of spun aluminum with an aluminum arm and horizontally adjustable slip fitter. An optional knuckle (KNC) allows for vertical adjustment.
TRANSLUCENT: Made of translucent polycarbonate with an aluminum arm and horizontally adjustable slip fitter. An optional knuckle (KNC) allows for vertical adjustment. Please contact the factory for availability.
- Reflector:** Formed in aluminum, polished, electro-chemically brightened, and anodized to provide a precisely controlled light beam.
- Lens:** Flat protector made of clear tempered glass, shock resistant. Permanently sealed to a mounting ring.
- Lamp holder:** Porcelain heat-resistant pulse rated 4kV G12 base.
- Access:** Access to the lamp and ballast is provided by loosening three captive screws on the lens ring.
- Reflector:** Spun and fabricated from high purity aluminum sheet, electro-brightened with a protective anodic coating.
- Mounting:** All Puntila designs are configured with an appropriate pole with mounting locations as specified.
- Hardware:** All exposed screws are stainless steel. All seals and sealing devices are made and/or lined with EPDM and/or silicone.
- Finish:** Application of polyester powder coat. The finish provides a highly durable UV and salt spray resistant finish in accordance to the ASTM B117 standard and humidity proof in accordance with the ASTM D2247 standard.

STRAIGHT TENON



ADJUSTABLE KNUCKLE



Type: _____ Quantity: _____

Approvals

Job: _____

Date: _____

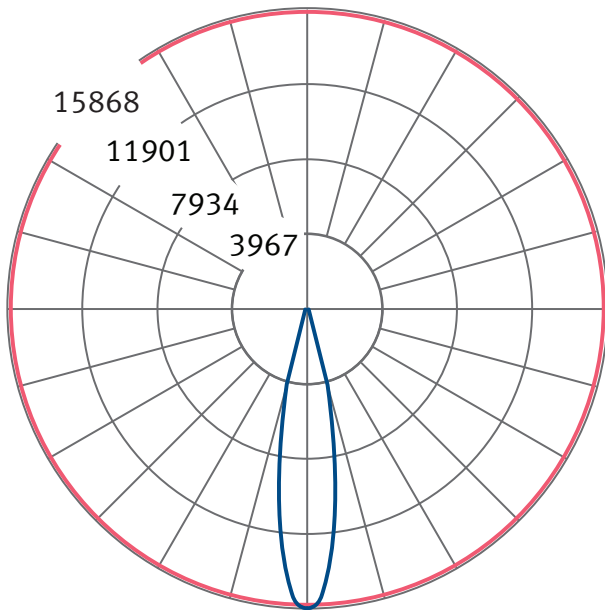
Catalog Number: PUNT • _____ • _____ • MT • _____ • _____
SHADE COLOR LAMP TYPE VOLTAGE POLE/BRACKET COLOR POLE DWG NO.

CREATE A DYNAMIC SCENE

Puntila's integral electronic ballast provides the design flexibility to configure multiple luminaires on a pole. An optional fully adjustable mounting bracket allows for precise on-site aiming of the fixtures. The patented Sealsafe® optical system is hermetically sealed to ensure long term performance and efficiency.

70 WATT METAL HALIDE CDM LAMP

Maximum candela: 4479
 Horizontal angle: 0°
 Vertical angle: 0°
 Lumens = 14,000



Type: _____ Quantity: _____

Approvals

Job: _____



Date: _____

Catalog Number: PUNT • _____ • MT • _____ •
SHADE COLOR LAMP TYPE VOLTAGE POLE/BRACKET COLOR POLE DWG NO.

1

SOLID SHADE COLOR	
RAL 9011-S	Smooth Black
RAL 9011-T	Textured Black
RAL 9007-S	Smooth Gray
RAL 9007-T	Textured Gray
RAL 9016-S	Smooth White
RAL 9016-T	Textured White
RAL 8019-S	Smooth Bronze
RAL 8019-T	Textured Bronze
RAL 9006-S	Smooth Aluminum
RAL 9006-T	Textured Aluminum
RAL _ _ _ _	Provide four digit RAL color number
CSC	Custom color. Provide a color sample for matching and approval
TRANSLUCENT SHADE	
YLW	Yellow translucent shade
GRN	Green translucent shade * Consult factory for availability
RED	Red translucent shade * Consult factory for availability

2

LAMP TYPE
MH T6 - 39 39 watt metal halide T-6 lamp, G12 base 
MH T6 - 70 70 watt metal halide T-6 lamp, G12 base 

3

VOLTAGE
MT 120 to 277 volt electronic ballast

5

OPTIONS
KNC Adjustable knuckle provides vertical adjust- ment.

4

POLE/BRACKET COLOR	
RAL 9011-S	Smooth Black
RAL 9011-T	Textured Black
RAL 9007-S	Smooth Gray
RAL 9007-T	Textured Gray
RAL 9016-S	Smooth White
RAL 9016-T	Textured White
RAL 8019-S	Smooth Bronze
RAL 8019-T	Textured Bronze
RAL 9006-S	Smooth Aluminum
RAL 9006-T	Textured Aluminum
RAL _ _ _ _	Provide four digit RAL color number
CSC	Custom color. Provide a color sample for matching and approval

6

POLE
All pole designs for the Puntila are project specific. Multiple heads can be configured on the pole at various locations. Please contact the factory for design configuration assistance.

