

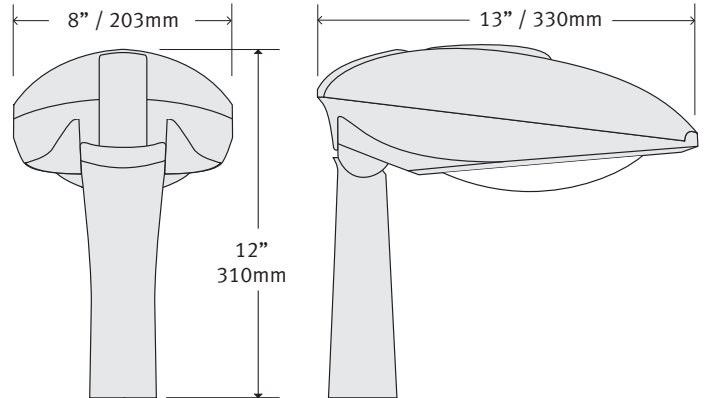
Type: \_\_\_\_\_  
 Job: \_\_\_\_\_  
 Catalog Number: \_\_\_\_\_

Approvals: \_\_\_\_\_  
 Date: \_\_\_\_\_

|      |   |   |   |   |   |   |   |
|------|---|---|---|---|---|---|---|
| QTY: | 1 | 2 | 3 | 4 | 5 | 6 | 7 |
| THY  |   |   |   |   |   |   |   |

## SPECIFICATIONS

| MODEL                 | THYLIA                         |
|-----------------------|--------------------------------|
| Height                | 5.1" / 130mm                   |
| Height including arm  | 12" / 310mm                    |
| Length                | 13" / 330mm                    |
| Width                 | 8" / 203mm                     |
| EPA                   | .26 sq ft / .024m <sup>2</sup> |
| Weight                | 6 lbs / 2.7kg                  |
| IP Rating - Reflector | 66                             |



|                                 |  |
|---------------------------------|--|
| <b>Housing &amp; Lens Frame</b> | Constructed of die cast aluminum.  |
| <b>Mounting</b>                 | The Thylia slips over a tenon and is secured with four stainless steel set screws. The adjustable knuckle on the Thylia allows for various aiming angles. An integral level on the top of the fixture is used to adjust the fixture for horizontal aiming. |
| <b>Access</b>                   | A spring loaded latch permits tool free opening of the top for easy access to the optical block for lamp replacement.  |
| <b>Ballast Plate</b>            | Modular plate is made of 18 gauge galvanized steel. The ballast is remote mounted in the pole.   |
| <b>Ballast</b>                  | High power factor, -20°F (-30°C) lamp starting capacity, with polarized quick disconnect plugs with a positive lock feature. The ballast is remote mounted in the pole.  |
| <b>Lens</b>                     | The sag lens is made of clear, shock resistant, tempered glass.  |
| <b>Reflector</b>                | Micro Reflector µR® made of aluminum, chemically brightened and anodized. The Sealsafe® optical system is rated IP66.  |
| <b>Socket Shutter</b>           | Made of die cast aluminum. Removable with a quarter turn, injection molded silicone gasket (duro 60 shore A). Lamp holder is porcelain, thermal resistant, pulse rated at 4kV for G12 base lamps (T-6).  |
| <b>Hardware</b>                 | All exposed screws are stainless steel. All seals and sealing devices are made of EPDM or silicone.  |
| <b>Finish</b>                   | Application of polyester powder coat paint. The chemical composition provides a highly durable finish that is UV and salt spray resistant in accordance with the ASTM-B117 standard and humidity proof in accordance with the ASTM-D2247 standard.         |
| <b>Electrical Listing</b>       | Wet Location listed per UL 1598 and CSA C22.2. IP rating for the optical system is IP66.   |
| <b>Warranty</b>                 | The Sealsafe® optical module is warranted to be free of intrusion of contaminants for a period of twenty years.  |

# THYLIA

Type: \_\_\_\_\_

Job: \_\_\_\_\_

Catalog Number: \_\_\_\_\_

Approvals: \_\_\_\_\_

Date: \_\_\_\_\_

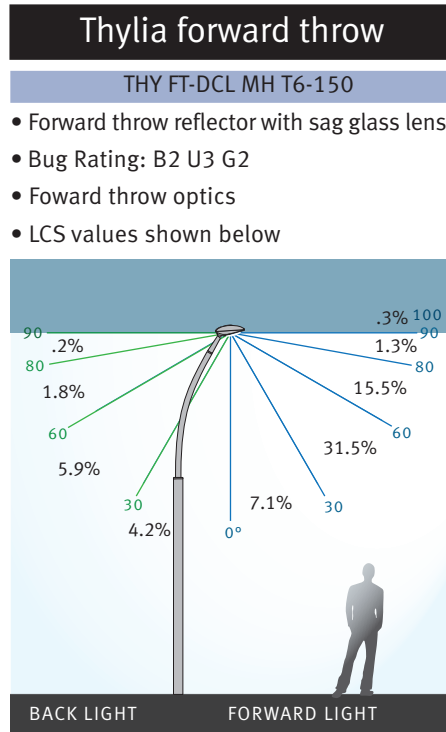
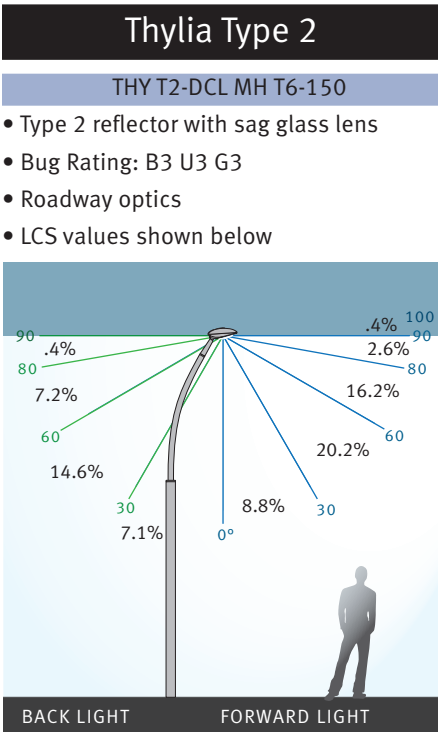
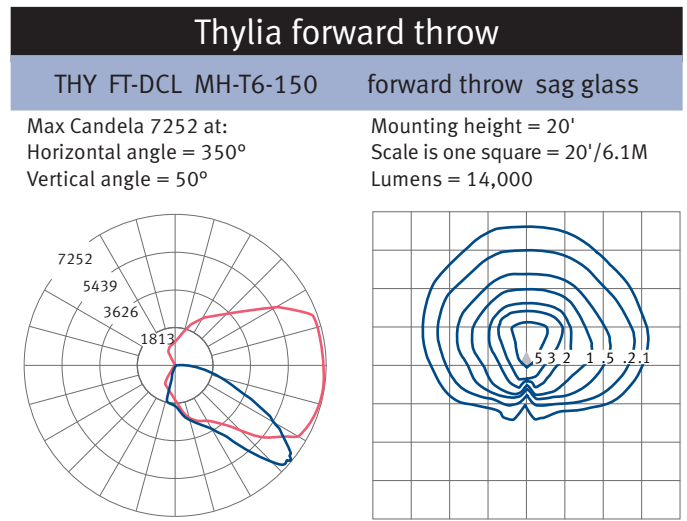
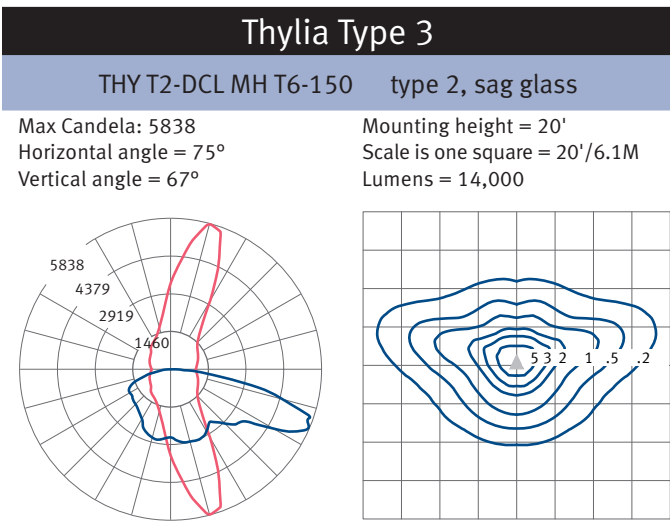
QTY: \_\_\_\_\_

|     |   |   |   |   |   |   |   |
|-----|---|---|---|---|---|---|---|
| THY | 1 | 2 | 3 | 4 | 5 | 6 | 7 |
|-----|---|---|---|---|---|---|---|

## PHOTOMETRIC AND OPTICAL PERFORMANCE

### LUMINAIRE CLASSIFICATION SYSTEM

The LCS is an IESNA standard method of evaluating the lighting levels produced by a luminaire by classifying the results into three categories; forward light, back light and uplight. This can be combined with the IESNA roadway classification to evaluate the optical system best suited to your project.



Type: \_\_\_\_\_

Approvals: \_\_\_\_\_

Job: \_\_\_\_\_

Catalog Number: \_\_\_\_\_

Date: \_\_\_\_\_



QTY: \_\_\_\_\_

|     |   |   |   |   |   |   |   |
|-----|---|---|---|---|---|---|---|
|     | 1 | 2 | 3 | 4 | 5 | 6 | 7 |
| THY |   |   |   |   |   |   |   |

1

| LIGHT DISTRIBUTION and LENS TYPE |   |
|----------------------------------|---|
| <input type="radio"/>            | <b>T2 - DCL</b><br>IES type 2 with sag glass lens         |
| <input type="radio"/>            | <b>FT-DCL</b><br>Forward throw optics with sag glass lens |

2

| LAMP TYPE             |   |
|-----------------------|---|
| <input type="radio"/> | <b>MH T6-70</b><br>Metal Halide 70 watt T6 lamp    |
| <input type="radio"/> | <b>MH T6-150</b><br>Metal Halide 150 watt T6 lamp  |

3

| VOLTAGE               |          |
|-----------------------|----------|
| <input type="radio"/> | 120 volt |
| <input type="radio"/> | 277 volt |
| <input type="radio"/> | 347 volt |

4

| COLOR                 |  |
|-----------------------|--|
| <input type="radio"/> | <b>EQ 9011</b><br>Textured Black   |
| <input type="radio"/> | <b>EQ 9007</b><br>Textured Gray  |
| <input type="radio"/> | <b>EQ 9016</b><br>Textured White   |
| <input type="radio"/> | <b>EQ 8019</b><br>Textured Bronze  |
| <input type="radio"/> | <b>EQ 9006</b><br>Smooth Aluminum  |
| <input type="radio"/> | <b>RAL</b> _____<br>Provide four digit RAL color number.                         |
| <input type="radio"/> | <b>CSC</b><br>Custom color.<br>Provide a color sample for matching and approval. |

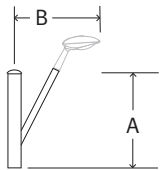
5

| OPTIONS               |             |
|-----------------------|-------------|
| <input type="radio"/> | <b>NONE</b> |

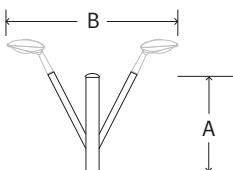
6

## MOUNTING

A-101



| MODEL                         |                 | A          | B          | EPA |
|-------------------------------|-----------------|------------|------------|-----|
| <input type="radio"/> A-101-1 | One arm         | 39"(558mm) | 17"(432mm) | 1.8 |
| <input type="radio"/> A-101-2 | Two arms @ 180° | 39"(558mm) | 34"(864mm) | 2.4 |



**MORE MOUNTING OPTIONS  
CONTINUE ON NEXT PAGE**



Type: \_\_\_\_\_

Job: \_\_\_\_\_

Catalog Number: \_\_\_\_\_

Approvals: \_\_\_\_\_

Date: \_\_\_\_\_

QTY: \_\_\_\_\_

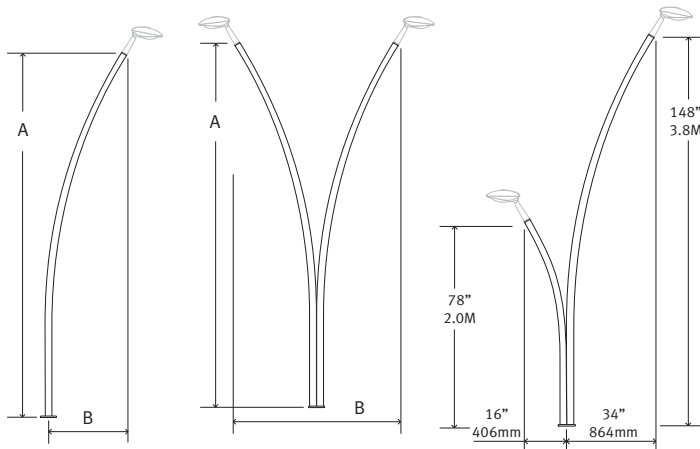
|     |   |   |   |   |   |   |
|-----|---|---|---|---|---|---|
| 1   | 2 | 3 | 4 | 5 | 6 | 7 |
| THY |   |   |   |   |   |   |

(CONTINUED) 6

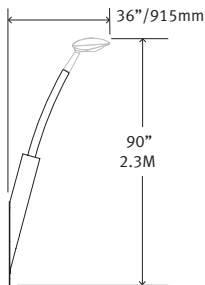
### MOUNTING

#### A-102

| MODEL          |                    | A                    | B               | EPA  |
|----------------|--------------------|----------------------|-----------------|------|
| ● A-102-1-90   | One arm            | 90"<br>(2286mm)      | 12"<br>(305mm)  | 1.73 |
| ● A-102-2-90   | Two arms<br>@ 180° | 90"<br>(2286mm)      | 24"<br>(610mm)  | 3.46 |
| ● A-102-1-109  | One arm            | 109"<br>(2769mm)     | 19"<br>(483mm)  | 1.97 |
| ● A-102-2-109  | Two arms<br>@ 180° | 109"<br>(2769mm)     | 38"<br>(966mm)  | 3.94 |
| ● A-102-1-128  | One arm            | 128"<br>(3251mm)     | 28"<br>(711mm)  | 2.35 |
| ● A-102-2-128  | Two arms<br>@ 180° | 128"<br>(3251mm)     | 56"<br>(1422mm) | 4.70 |
| ● A-102-78-148 | Two arms<br>@ 180° | see dimensions below |                 |      |
| ● A-102-WP     | Wall Bracket       |                      |                 |      |



A-102-78-148

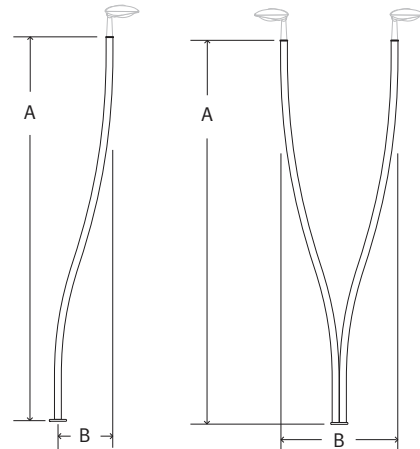


Wall Bracket

### MOUNTING

#### A-103

| MODEL         |                    | A                | B              | EPA  |
|---------------|--------------------|------------------|----------------|------|
| ● A-103-1-66  | One arm            | 66"<br>(1676mm)  | 11"<br>(279mm) | 1.4  |
| ● A-103-2-66  | Two arms<br>@ 180° | 66"<br>(1676mm)  | 22"<br>(558mm) | 2.8  |
| ● A-103-1-94  | One arm            | 94"<br>(2388mm)  | 14"<br>(356mm) | 1.9  |
| ● A-103-2-94  | Two arms<br>@ 180° | 94"<br>(2388mm)  | 28"<br>(710mm) | 3.8  |
| ● A-103-1-120 | One arm            | 120"<br>(3048mm) | 18"<br>(457mm) | 2.35 |
| ● A-103-2-120 | Two arms<br>@ 180° | 120"<br>(3048mm) | 36"<br>(914mm) | 4.70 |



7

### POLE

Refer to the Schröder pole guide.

