

# ALURA HID

Type: \_\_\_\_\_ Quantity: \_\_\_\_\_

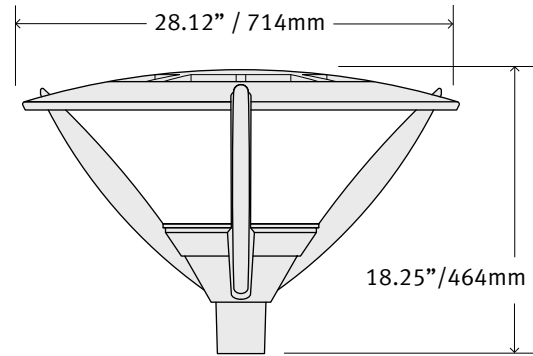
Approvals

Job: \_\_\_\_\_

Date: \_\_\_\_\_

Catalog Number: **ALU** • \_\_\_\_\_  
DISTRIBUTION LAMP VOLTAGE COLOR OPTIONS MOUNTING POLE

Model	Alura LED
Height	18.25 in/464mm
Diameter	28.12 in/714mm
EPA / CxS	1.33 sq ft/.12m <sup>2</sup>
Weight	27 lbs/12.2kg
IP rating - reflector	66



## SPECIFICATIONS

- Base:** Made of die cast aluminum with mounting provisions for hardware. The base permits installation over a tenon of 2.38" (60mm) O.D. x 2.75" (70mm) long, and is secured by 2 sets of 3 stainless steel set screws.
- Top Hood:** Die cast aluminum with a moulded hinge and bosses for mounting hardware.
- Arms:** Constructed of die cast aluminum.
- Access Door:** Die cast aluminum, locked with two captive screws. Loosening the two screws allows the cover to pivot up, providing access to the lamp.
- Reflector:** In the indirect version, a reflector is located in the base of the fixture, spun and fabricated from high purity aluminum, electro-brightened with a protective anodic coating.
- Lens:** Clear - indirect distribution or frosted - direct distribution. Made of impact resistant, acrylic permanently adhered to the base and cover to provide a sealed optical system.
- Lamp Holder:** Porcelain, heat-resistant pulse rated 4 kV, G12 base (for T6) or medium base (for B17).
- Ballast:** Mounted on a modular unitized ballast tray made of galvanized steel. All connections are made with polarized, quick disconnect plugs with a positive lock.
- Hardware:** All exposed screws are stainless steel. All seals and sealing devices are made and/or lined with EPDM and/or silicone.
- Finish:** Finish: Application of polyester powder coat. The chemical composition provides a highly durable UV and salt spray resistant finish in accordance to the ASTM-B117 standard and humidity proof in accordance to the ASTM-D2247 standard.



# ALURA HID

Type: \_\_\_\_\_ Quantity: \_\_\_\_\_

Approvals

Job: \_\_\_\_\_

Date: \_\_\_\_\_

Catalog Number: **ALU** • \_\_\_\_\_ • \_\_\_\_\_ • \_\_\_\_\_ • \_\_\_\_\_ • \_\_\_\_\_ • \_\_\_\_\_ • \_\_\_\_\_ • \_\_\_\_\_ • \_\_\_\_\_

DISTRIBUTION LAMP VOLTAGE COLOR OPTIONS MOUNTING POLE

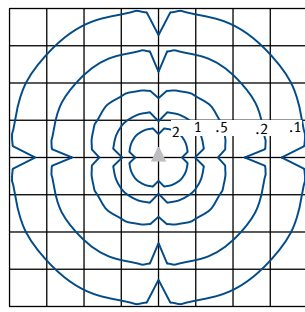
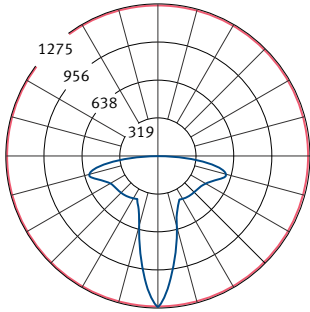
## LUMINAIRE CLASSIFICATION SYSTEM

The LCS is an IESNA standard method of evaluating the lighting levels produced by a luminaire by classifying the results into three categories; forward light, backlight and up light. This can be combined with the IESNA cutoff classification to evaluate the optical system best suited to your project.

### ALU - ISYM - MH ED17-100 INDIRECT, SYMMETRIC

Max Candela 1275 at:  
Horizontal angle = 0°  
Vertical angle = 0°

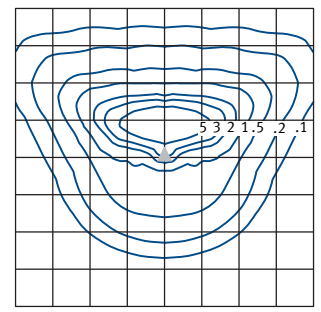
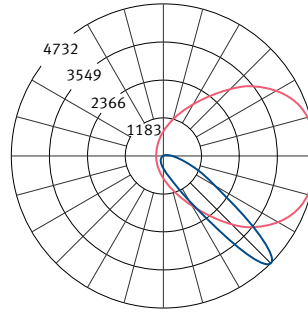
Mounting height = 12 feet  
Scale is one square = 12 feet/3.7M  
Lumens = 9,000



### ALU - IASY - MH T6-150 INDIRECT, ASYMMETRIC

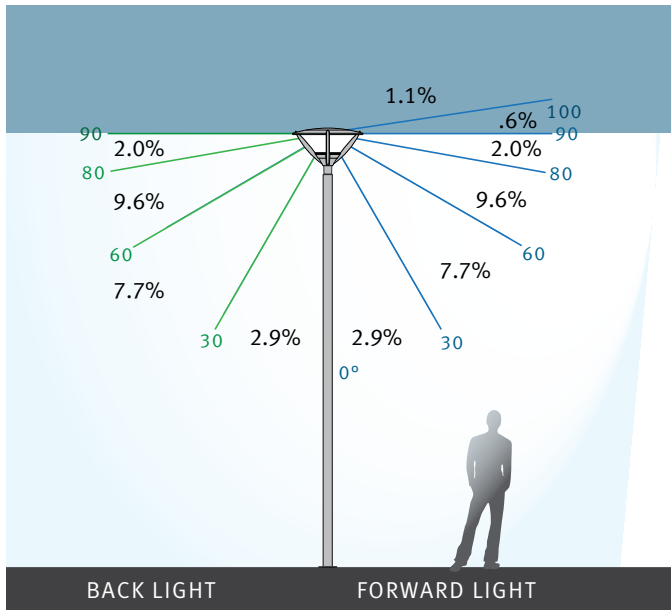
Max Candela 4732 at:  
Horizontal angle = 0°  
Vertical angle = 46°

Mounting height = 12 feet  
Scale is one square = 12 feet/3.7M  
Lumens = 14,000



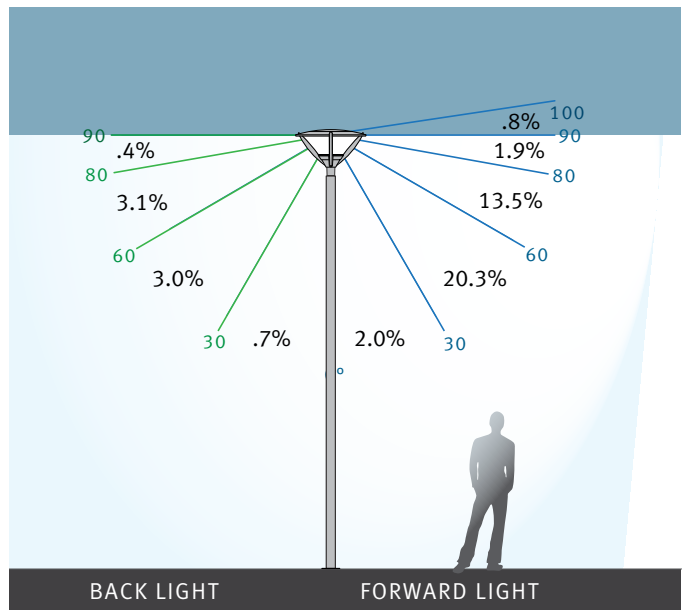
#### ALU - ISYM

- Symmetric indirect reflector
- BUG rating: B2 U3 G1
- LCS values shown below



#### ALU - DASYS

- Asymmetric indirect reflector
- BUG rating: B1 U3 G2
- IES Semi-cutoff classification



Type: \_\_\_\_\_ Quantity: \_\_\_\_\_

Approvals

Job: \_\_\_\_\_

Date: \_\_\_\_\_

Catalog Number: ALU • • • • • • • • • •

DISTRIBUTION

LAMP

VOLTAGE

COLOR

OPTIONS

MOUNTING

POLE

1

2





3

4

### LIGHT DISTRIBUTION and LENS TYPE

- DASY**  
Asymmetric with frosted, ribbed lens
- DSYM**  
Symmetric with frosted, ribbed lens
- IASY**  
Indirect, asymmetric with ribbed lens, remote ballast required
- ISYM**  
Indirect, symmetric with ribbed lens, remote ballast required

### LAMP TYPE

- MH ED17**  
Metal Halide - medium base socket 
- MH ED17 - 70**  
70 watt lamp metal halide
- MH ED17 - 100**  
100 watt lamp metal halide
- MH ED17 - 150**  
150 watt lamp metal halide
- MH T6** Metal Halide - G-12 bi-pin 
- MH T6 - 70**  
70 watt lamp metal halide
- MH T6 - 150**  
150 watt lamp metal halide
- HPS BD17**  
High pressure sodium lamp Medium base socket 
- HPS BD17 - 70**  
70 watt high pressure sodium
- HPS BD17 - 100**  
100 watt high pressure sodium
- HPS BD17 - 150**  
150 watt high pressure sodium
- HPS ED23.5**  
High pressure sodium lamp Mogul base socket 
- HPS ED23.5 - 70**  
70 watt high pressure sodium
- HPS ED23.5 - 100**  
100 watt high pressure sodium
- HPS ED23.5 - 150**  
150 watt high pressure sodium

### VOLTAGE

- 120-277**  
120 - 277 volt remote ballast located in the pole
- 120-347**  
120 - 347 volt remote ballast located in the pole

### COLOR

- RAL 9011-S**  
Smooth Black
- RAL 9011-T**  
Textured Black
- RAL 9007-S**  
Smooth Gray
- RAL 9007-T**  
Textured Gray
- RAL 9016-S**  
Smooth White
- RAL 9016-T**  
Textured White
- RAL 8019-S**  
Smooth Bronze
- RAL 8019-T**  
Textured Bronze
- RAL 9006 -S**  
Smooth Aluminum
- RAL 9006 -T**  
Textured Aluminum
- RAL \_ \_ \_ \_**  
Provide four digit RAL color number
- CSC**  
Custom color. Provide a color sample for matching and approval

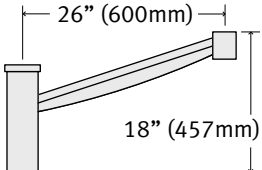
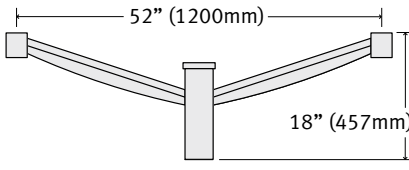
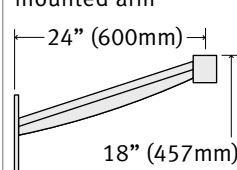
5

### OPTIONS

- NONE**
- ELB**  
Electronic ballast, multi voltage 120 to 277 volt input.

6

### MOUNTING

- A-201-1 One arm**  

- A-201-2 Two arms at 180 degrees**  

- A-201-W Wall mounted arm**  

- 0 No arm - post top mounting**

7

### POLE

Refer to the Schröder pole guide for a selection of wood and metal poles.

